

## INTERACTIVE WHITEBOARDS

CREATIVE LEARNING | INNOVATION | DYNAMIC PRESENTATIONS

## CLASUS® INTERACTIVE WHITEBOARDS **EDUCATION**

### Attractive and innovative learning tools

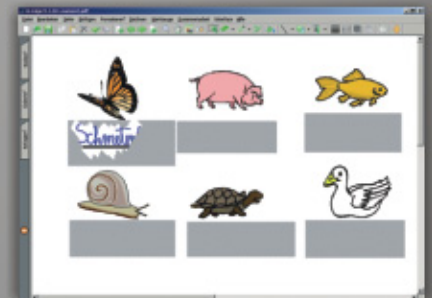
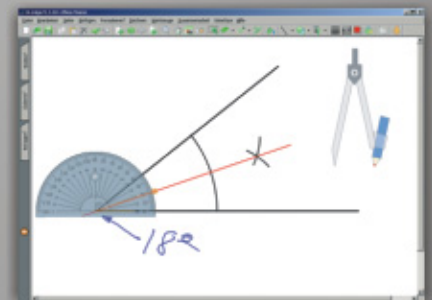
CLASUS® Interactive Whiteboard is a learning tool that not only makes classes more attractive for students but that also enables you to prepare, update and transfer information and knowledge.

### Intuitive and easy to use

The CLASUS® Interactive Whiteboard is easy to assemble and to start working with. An interactive Whiteboard, a projector and a computer and you're ready to start. You can choose from wall to floor stand both easy set up solutions from CLASUS®.

### A-migo Software: the best performance

Maximize the quality of your presentations with our well known A-migo software and have the maximum attention of your audience and students thanks to the power of interaction and multimedia.



#### A-migo Software exclusive tools to maximize your work

- ⇒ Gallery of photos, videos and other teaching contents organized by user.
- ⇒ Laptop mode (not connected to the board) allowing home work and previous class preparations.
- ⇒ Automatic recognition (geometrical shape and characters)
- ⇒ Geometrical tools (compass, ruler, protractor) with direct application on any teaching content.

**DIRECT MAIL** ⇒ Immediately share your class contents with all participants.

**COLLABORATION** ⇒ Long distance, home and multi-classroom teaching with the exclusive A-migo feature that allows a endless number of participants to share the same contents remotely.

## INTERACTIVE WHITEBOARDS

**CREATIVE LEARNING | INNOVATION | DYNAMIC PRESENTATIONS**

**CORPORATE**

**CLASUS<sup>®</sup>**

[www.clasus.com](http://www.clasus.com)



**INTERACTIVE WHITEBOARDS**

**CREATIVE LEARNING | INNOVATION | DYNAMIC PRESENTATIONS**

## CLASUS<sup>®</sup> INTERACTIVE WHITEBOARDS **CORPORATE**

### Impact on communication

The ability to communicate is vital to enable your products, services and ideas to be accepted by everyone.

CLASUS<sup>®</sup> Interactive Whiteboard is the innovative solution you are looking for.

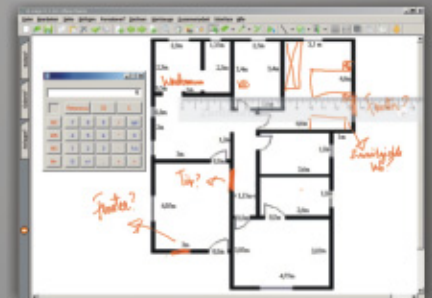
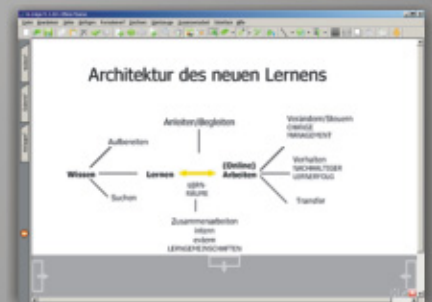
### Innovate and succeed

The importance of corporate innovation is assumed as vital to the strategy and evolution of each organization. Overcoming the aggressiveness of the market and following the evolution of new technologies increasingly became a constant need.

CLASUS<sup>®</sup> Interactive Whiteboards are the solution for any company wishing to keep up-to-date. Let interactive presentations show and enhance the dynamics of your organization.

### A-migo Software: perform and share

With CLASUS<sup>®</sup> Interactive Whiteboard and his exclusive A-migo software, you will promote the innovation of your company communication as well as in the training of your staff, creating new skills and up-to-date professionals; you will gain a participative and dynamic communication obtaining better management of your time as you will be able to save all information and present it later with our exclusive A-migo software.



#### Share meetings and contents

**COLLABORATION** ⇨ A exclusive feature that allows long distance conference calls, meetings and training with a endless number of participants sharing the same contents remotely.

**DIRECT MAIL** ⇨ Immediately share your meeting and training contents with all participants.

## INTERACTIVE WHITEBOARDS

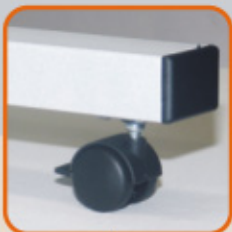
**CREATIVE LEARNING | INNOVATION | DYNAMIC PRESENTATIONS**



**CLASUS LIFT**  
compact and robust  
with maximum distance  
of 75mm of the wall.



**Height adjustment**  
hydraulic weight  
compensation, intuitive  
and user friendly.



Optional **Wheels**

## INTERACTIVE WHITEBOARDS

CREATIVE LEARNING | INNOVATION | DYNAMIC PRESENTATIONS

## STANDS FOR INTERACTIVE WHITEBOARDS

# CLASUS LIFT

**CLASUS® LIFT** was developed based on CLASUS® Research & Development highest standards. This is a robust product of exclusive design, where no electrical power is needed to be operated.

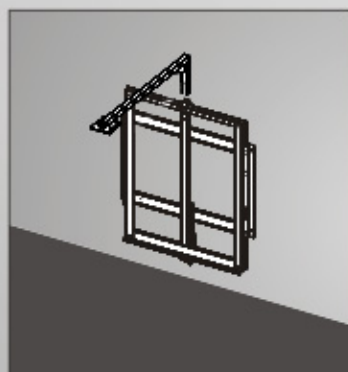
It is capable to handle the board/projector solution with the needed accuracy so that no additional alignments are needed. This stand allows any user, adult or child, disabled or not, to easily operate the board enjoying freely all of its features.

The construction is based on stainless steel parts with specific design that allows ideal force distribution guarantying the longevity and stability of the set, avoiding the unwanted oscillating effects.

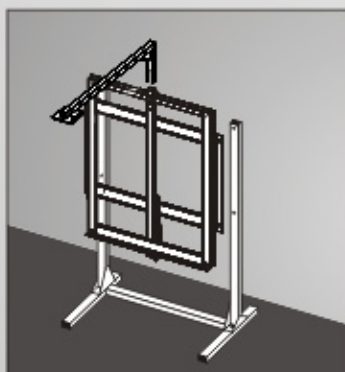
## SPECIFICATIONS

- Height adjustable system based on linear ball-bearings.
- Hydraulic weight compensation system.
- Stainless Steel construction.
- Computer generated and robot construction.
- High temperature electrostatic paint finish.
- Dimensions (without the arm) 1365x1115x158 mm.
- Weight 29 Kg.
- Compact board distance to the wall: 75mm.

## CHOOSE THE SOLUTION THAT BETTER SUITS YOUR NEEDS



**CLASUS® LIFT WALL MOUNT**  
(STAND + BOARD + PROJECTOR ARM)



**CLASUS LIFT FLOOR MOUNT**  
(STAND+FLOOR MOUNT+BOARD+PROJECTOR ARM)



**CLASUS LIFT** allows any user, adult or child, disable or not to easy operate with the board.



# INTERACTIVE WHITEBOARDS

**CREATIVE LEARNING | INNOVATION | DYNAMIC PRESENTATIONS**